



INSTALLATION INSTRUCTIONS

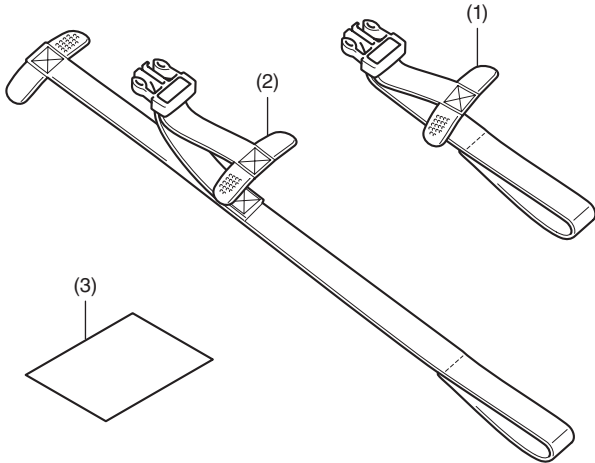
Accessory
SEAT BAG ATTACHMENT
 P/N 08L70-MKJ-D00

Application
CB500XA

Publication No.
MII
 Issue Date
February 2019

Honda Dealer: Please give a copy of these instructions to your customer.

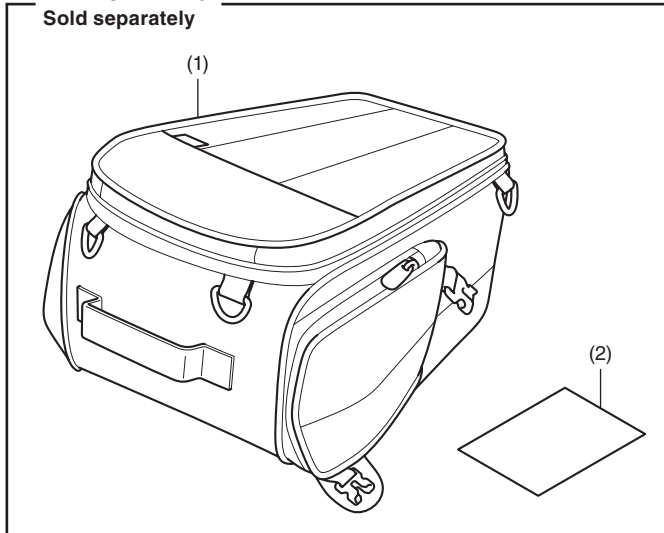
PARTS LIST



No.	Description	Qty
(1)	Strap (short)	2
(2)	Strap (long)	2
(3)	Installation Instructions URL	1

REAR SEAT BAG

Sold separately



No.	Description	Qty
(1)	Rear seat bag	1
(2)	Installation Instructions URL	1

MAXIMUM LOADING CAPACITY

- The weight of the cargo must not exceed the following maximum loading capacity:

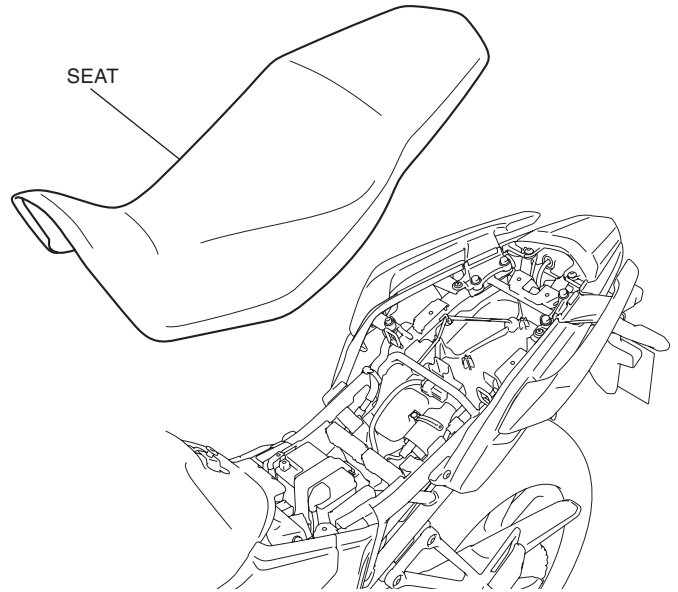
Maximum Loading Capacity	
Rear seat bag	8.8 lb (4.0 kg)

INSTALLATION

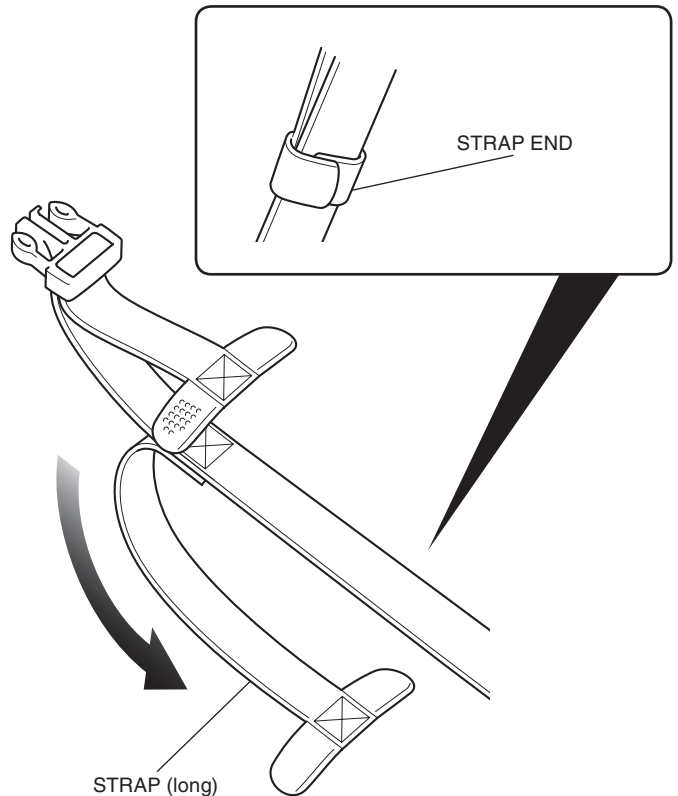
▲ CAUTION

- To prevent burns, allow the engine, exhaust system, radiator, etc., to cool before installing the accessory.

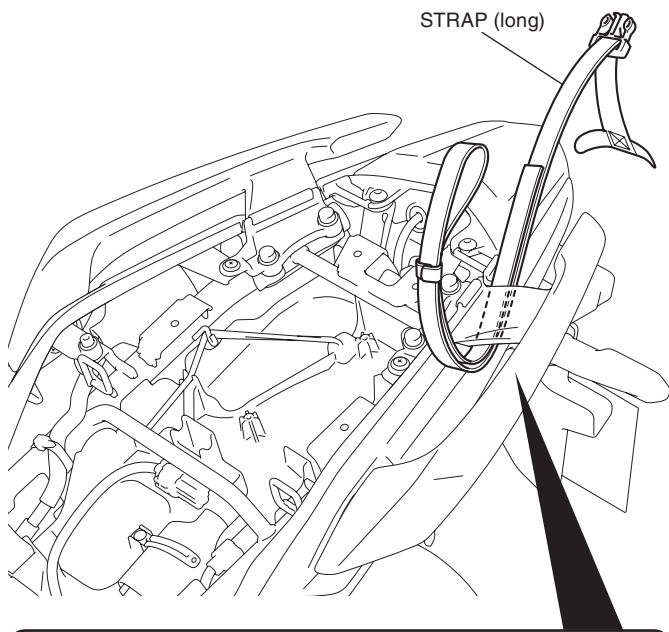
1. Remove the seat as shown.



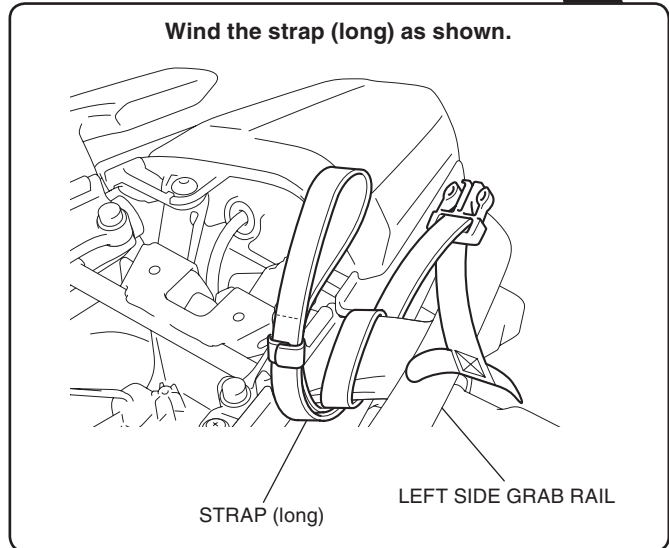
2. Fold back the strap (long) and secure the strap end as shown.



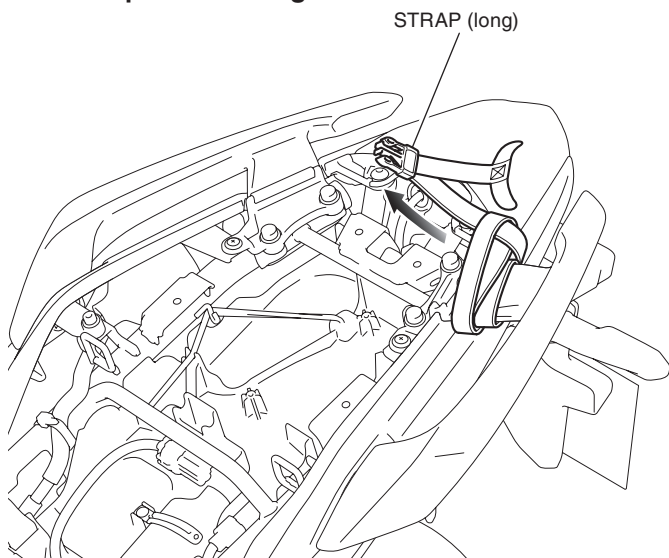
3. Set the strap (long) as shown.
<Left side>



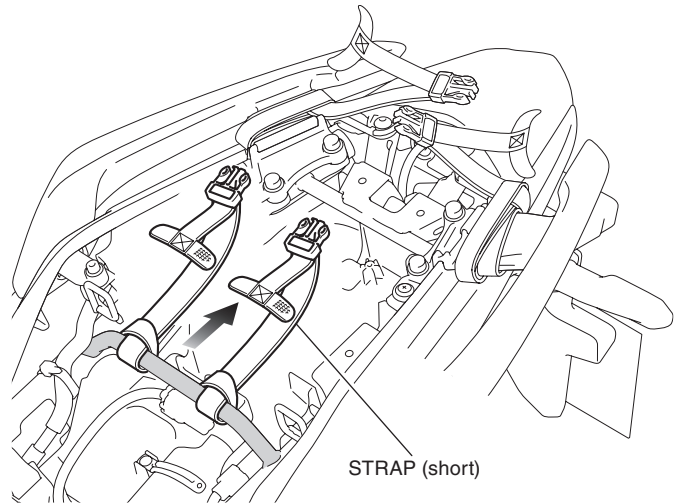
Wind the strap (long) as shown.



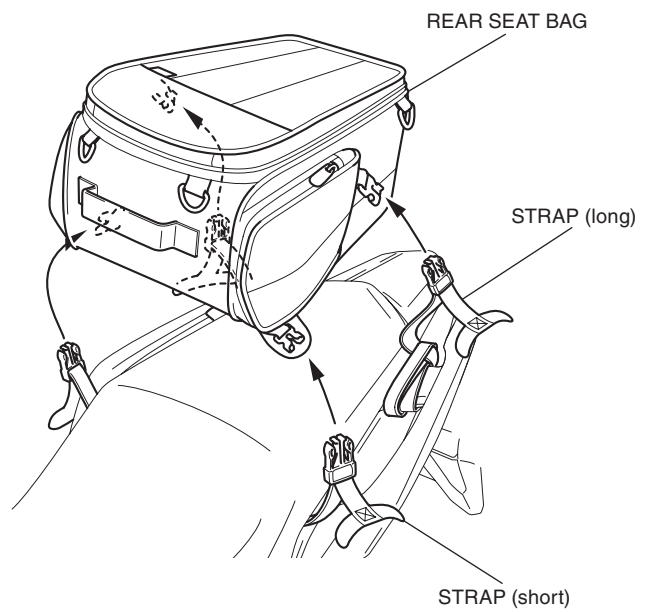
4. Set the strap (long) as shown.
• Repeat on the right side.



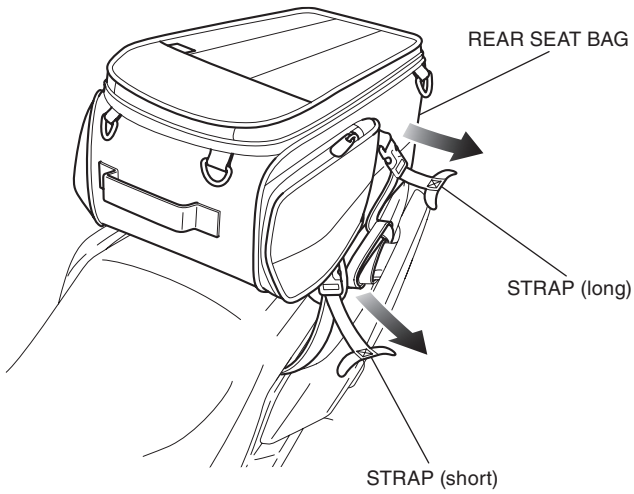
5. Set the strap (short) as shown.



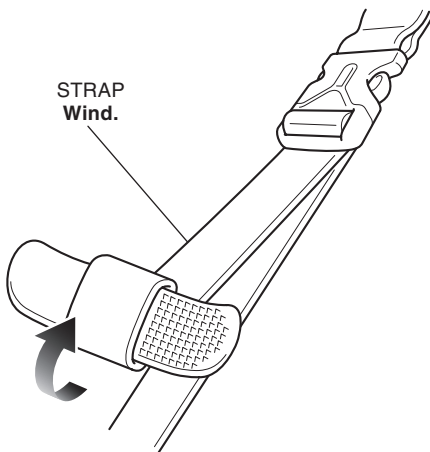
6. Install the seat in the reverse order of removal.
7. Install the rear seat bag as shown.



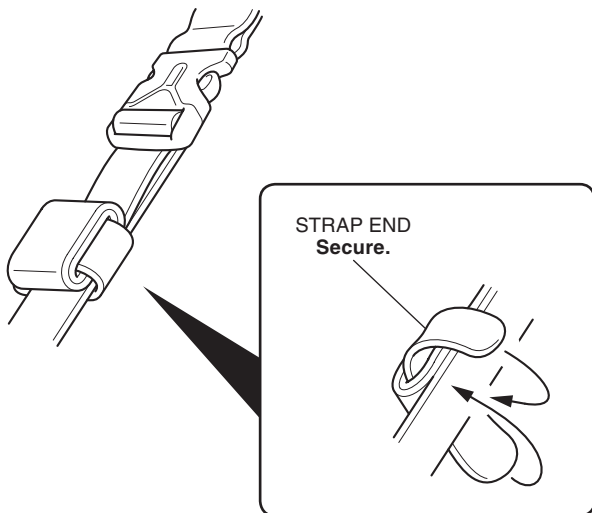
8. Tighten the straps while adjusting the balance between the right and left sides of the rear seat bag as shown.
 - Repeat on the right side.
 - Secure well by pulling the straps tight.



9. Wind the strap as shown.



10. Secure the strap end as shown.



11. Secure the other straps in the same manner.
12. Make sure that the rear seat bag does not protrude to the rear of the rear cowl as shown.
 - If the rear seat bag protrudes, adjust the tensions of strap (long) and strap (short).

